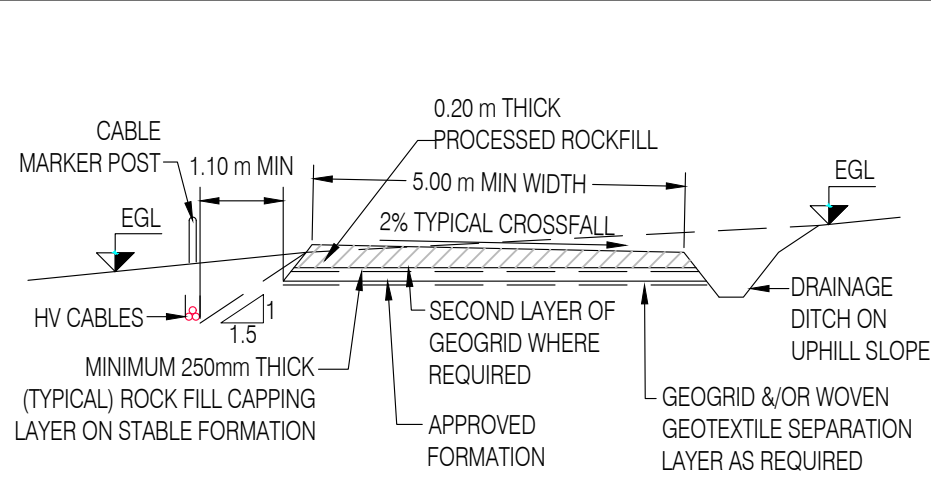


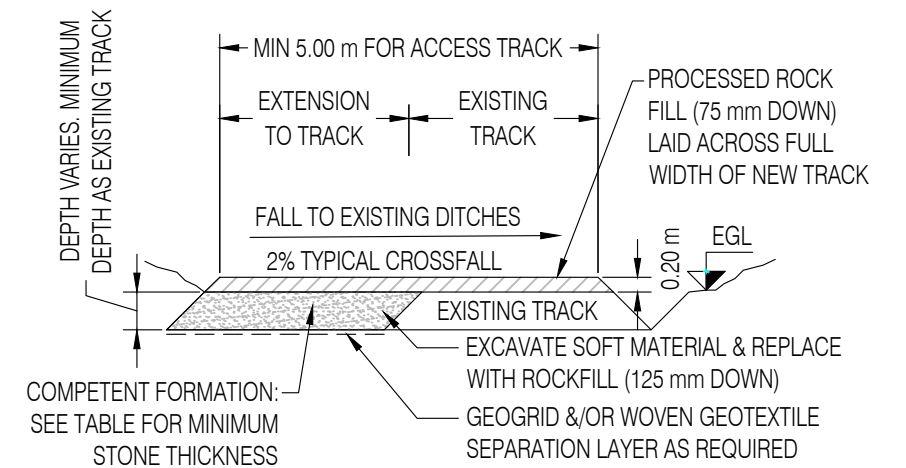
TYPICAL CROSS SECTION 'A-A' THROUGH TRACK ON SIDE OF SLOPE

SCALE 1:100



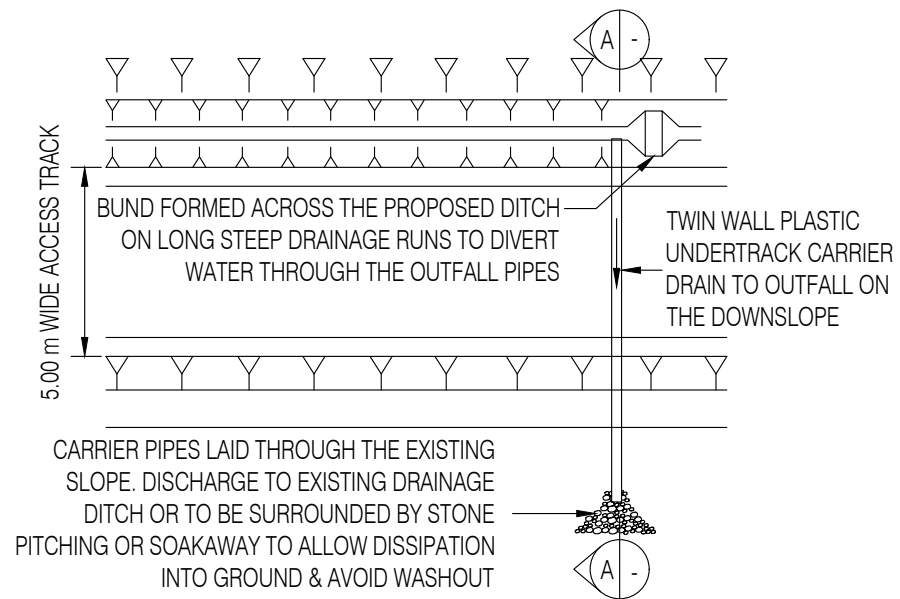
TYPICAL SECTION THROUGH EXCAVATED TRACK

SCALE 1:100



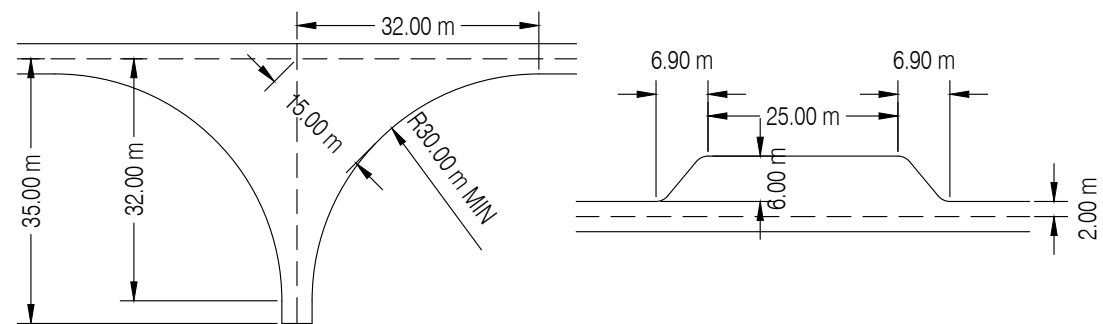
TYPICAL SECTION WIDENING OF EXISTING CUT TRACK

SCALE 1:100



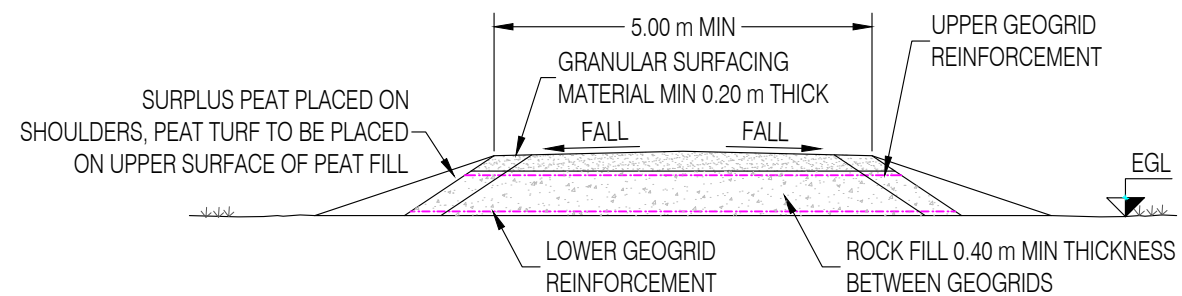
PLAN OF EXCAVATED TRACK ON SIDE SLOPE

SCALE 1:200



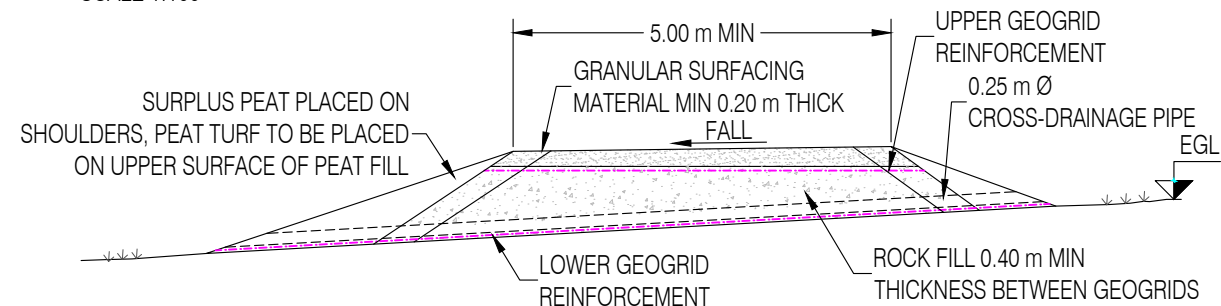
TYPICAL PASSING PLACES/TURNING HEADS

N.T.S.



TYPICAL SECTION THROUGH FLOATING TRACK

SCALE 1:100



TYPICAL SECTION THROUGH FLOATING TRACK ON SIDE SLOPE

SCALE 1:100



06	10/11/2021	WM	Updated To Reflect Comments
05	05/10/2021	WM	Updated To Reflect Comments
04	21/09/2021	WM	Updated To Reflect Comments
Rev	Date	By	Comment

A/S  
Scale @ A3

**Hollandmeyer Renewable Energy Development**  
Figure 3.10:  
Indicative Track Details

Drg No	
Rev	06
Date	10/11/2021
Figure	3.10